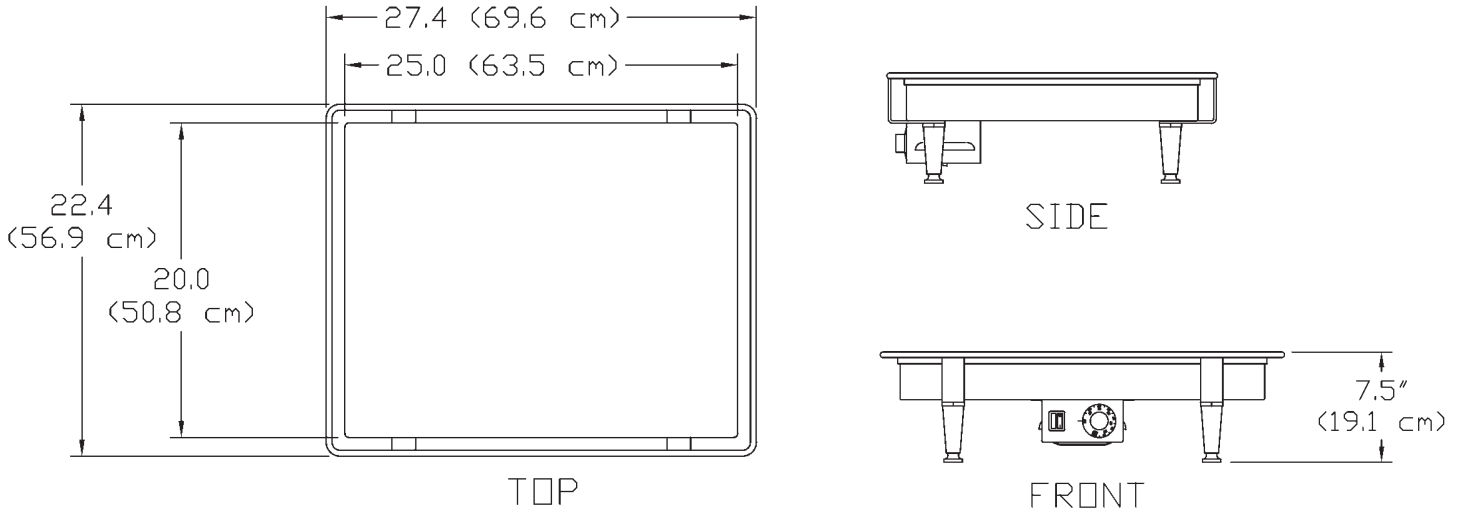


# Edge SE

TW2025



## Equipment Details

Temperature Control	Yes	Shipping Weight	51lbs/43kg
Maximum Heat	425F/218C	Machine Weight	43lbs/19kg
Programmable Timer	No	Voltage	208/220
Power Cord Length	72"	Wattage	2800/3122
Power Plug	NEMA 6-20P	Amps	13.5/14.2



# PROLUXE™

CORPORATE HEADQUARTERS  
20281 HARVILL AVE. PERRIS, CA 92570

HELPING COMMERCIAL KITCHENS  
PRODUCE GREAT FOOD FASTER

ADVICE AND SUPPORT  
1-800-624-6717

# Authentic and Fresh Tortillas

Built to take on the demands of high volume tortilla production while taking up less precious counter space. The Edge SE features a 20" x 25" cooking surface for perfectly grilled tortilla wraps, burritos, tacos, and more. Backed with a limited lifetime warranty on the heating element.

## Edge SE

20"x25" Flat Tortilla Grill  
TW2025



## Fresh And Consistent

This flat top grill quickly and evenly heats corn and flour tortillas for burritos, wraps, and tacos. Fits up to 3 large tortillas or 8 small tortillas.



PATENTED EMBEDDED HEATING ELEMENT  
LIMITED LIFETIME WARRANTY



EVEN HEAT DISTRIBUTION TECHNOLOGY



HIGH PRODUCTION