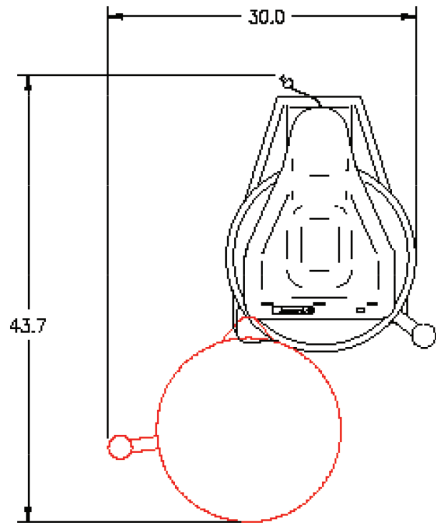
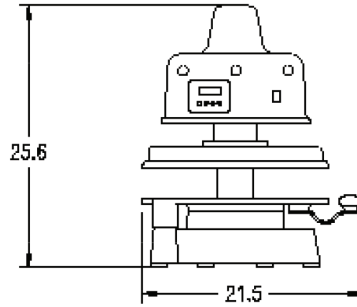


Impact X1

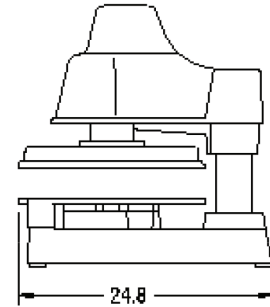
DP3300



TOP VIEW



FRONT VIEW



RIGHT SIDE VIEW

Equipment Details

Temperature Control	Yes	Pies Per Hour	100+
Maximum Heat	0 - 450F	Shipping Weight	184lbs/83kg
Programmable Timer	Yes	Machine Weight	145lbs/65kg
Thickness Control	Yes	Voltage	120/220/240
Power Cord Length	72"	Wattage	1500
Plug	NEMA 5-20P/6-15P CEE7/7	Amps	12.5/6.8/6.3



PROLUXE™

CORPORATE HEADQUARTERS
20281 HARVILL AVE. PERRIS, CA 92570

HELPING COMMERCIAL KITCHENS
PRODUCE GREAT FOOD FASTER

ADVICE AND SUPPORT
1-800-624-6717

Easy Automation. Small Footprint.

The Impact X1 automatic dough press brings automation to dough pressing for more compact spaces. The flat platen lets you press hand-tossed style pizza in seconds, while giving you the freedom to press a range of pie sizes on one press. Easily press 8" to 18" pizzas with an increase or decrease in dough ounce.



Impact X1

Electromechanical
Automatic Dough Press
DP3300



Consistent Pizza

This electro-mechanical dough press quickly presses a perfect product without the use of skilled labor or expensive air compressors. It also features a thickness control dial to quickly adjust the thickness of your product.



150-250 PIZZAS PER HOUR



HEATED UPPER PLATEN LIFETIME LIMITED WARRANTY



FULLY AUTOMATED



PRESSED IN SECONDS