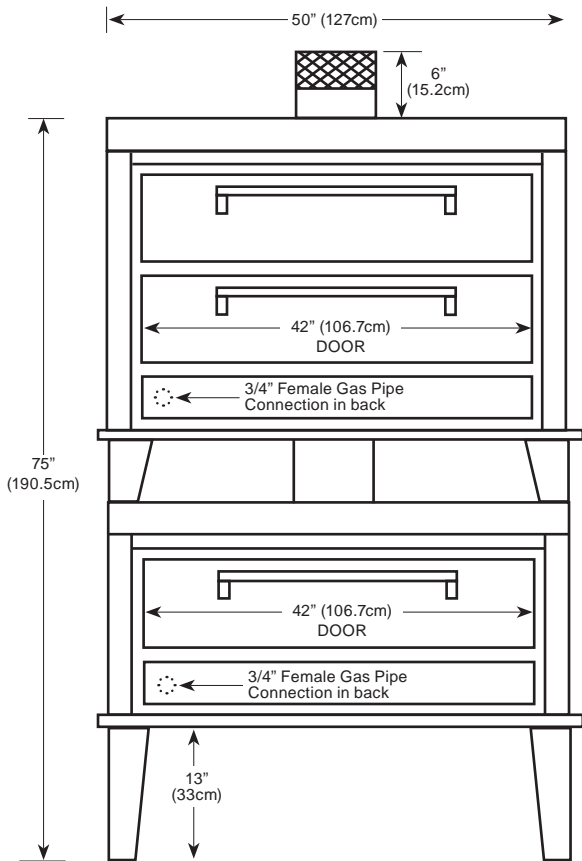


# MAXIMIZER

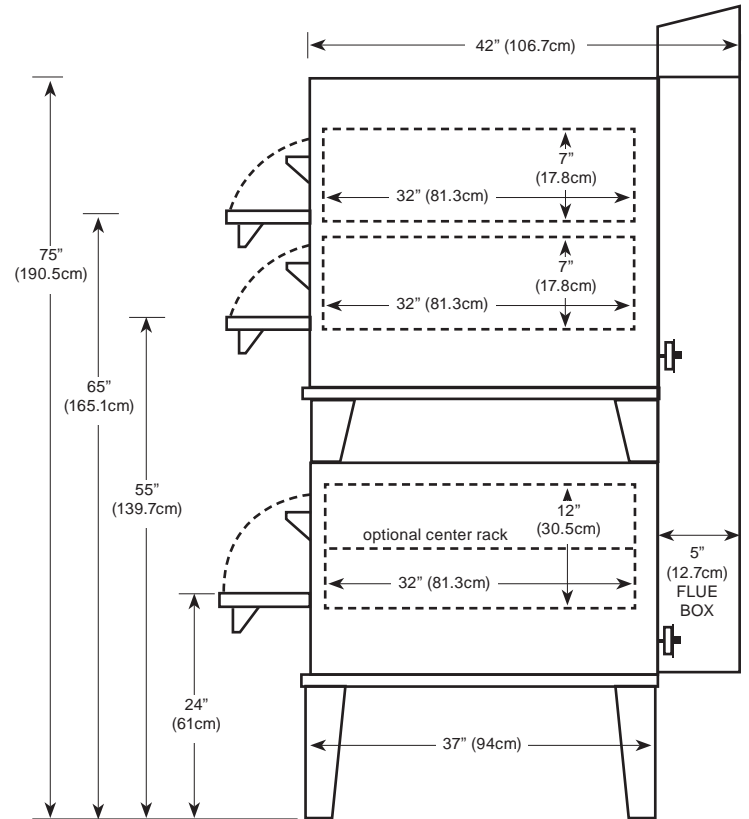
## Gas Bake & Roast Ovens

### MODEL CW51/CW61B

Gas Bake/Roast Ovens can be combined with gas Pizza Ovens to meet your specific needs. Contact Peerless for details.



**FRONT VIEW  
CW51/CW61B**



**SIDE VIEW  
CW51/CW61B**

Floor space . . . . .	50" (127cm) wide x 42" (106.7cm) deep* x 75" (190.5cm) high
Shelf size CW51B . . . . .	42" (106.7cm) wide x 32" (81.3cm) deep x 12" (30.5cm) high
Shelf size CW61B . . . . .	42" (106.7cm) wide x 32" (81.3cm) deep x 7" (17.8cm) high
Shipping weight . . . . .	1200 lbs (544.3kg)
Capacity CW51B . . . . .	Two 18"x26" bun pans per section
Capacity CW61B . . . . .	Four 18"x26" bun pans per section
Gas . . . . .	Maximum 60,000 BTU input each (2)
Maximum opening required for installation: 31"	* Handle adds 2.5"(6.4cm) to depth

