

MAXIMIZER

Gas Pizza Ovens

MODEL CW41P

General Features:

- Quality Construction for long life
- Stainless Steel Front Standard
Stainless top & sides available (T430)
- Pizza Deck Standard
Large 42"x32"x7" compartment
1" pizza stone
- 4-Cell "Power-Pak"
Burner System for better
distribution of heat and better
baking ability
- Thermostat
300°F - 650°F (149°C - 343°C)
- Space Saver
Only 50" wide
- Stackable
Multiple options for flexibility
- Aluminized Interior
Standard
- Easily Serviceable
Most controls can be replaced
from the front of the unit
- Power
Gas - LP or NAT
- **Specific Features**
of the CW41P listed on back

Warranty:

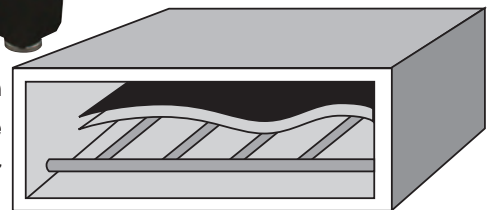
- One year parts and labor



**GAS
FIRED**



Hearth
Baffle
Burner

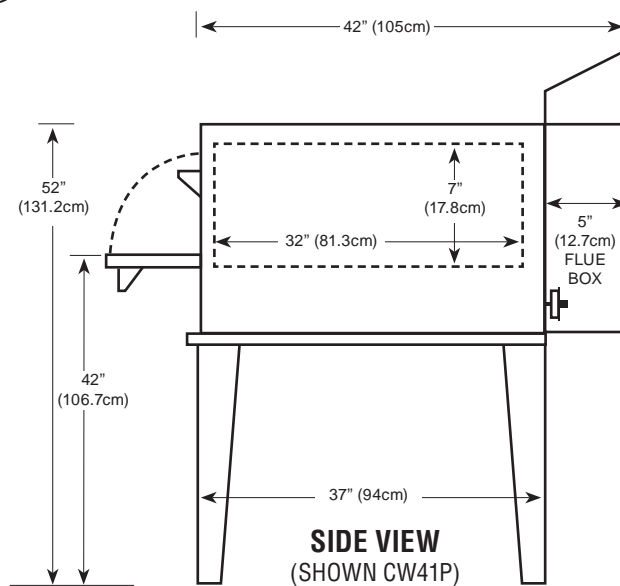
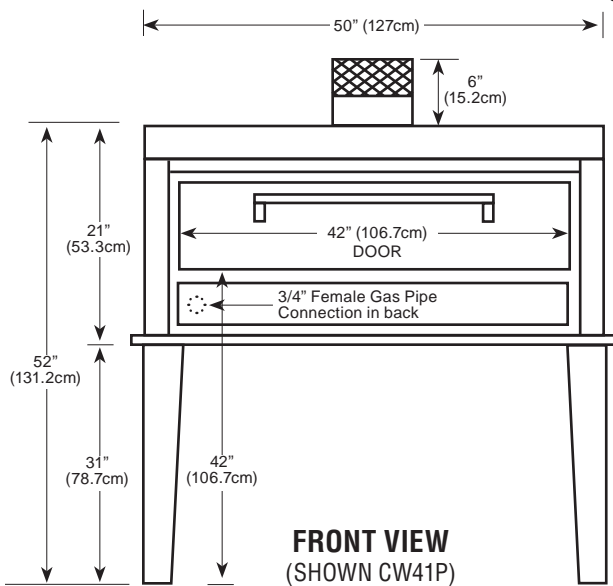
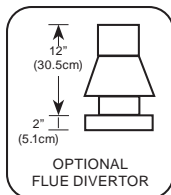


"Power-Pak" 4-Cell Burner System

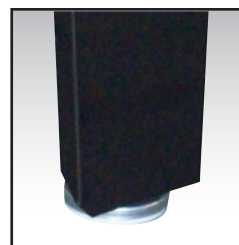
MORE FOR LESS

More Cooking Space per Floor Space
More Cooking Capacity per Sales Dollar
More Performance per Gas Dollar

 **Peerless**
Commercial and Industrial Ovens



Floor space	50" (127cm) wide x 42" (105cm) deep* x 52" (131.2cm) high
Shelf size	42" (106.7cm) wide x 32" (81.3cm) deep x 7" (17.8cm) high
Shipping weight	635 lbs (288kg)
Capacity	Six 12" (30.5cm) pizzas or four 16" (40.7cm) pizzas
Gas	Maximum 60,000 BTU input
Opening required for installation: 22" * Handle adds 2.5"(6.4cm) to depth	



Adjustable Legs

Durable Construction

The CW41P is built with *prime 20-gauge cold-rolled top and sides* with a 14-gauge base. The *interior is made of Armco Type 1, 20-gauge aluminized steel*. The CW41P comes standard with stainless steel front, or optional all stainless steel finish. The stainless steel is made of high quality, 18-gauge 430 stainless; the door interior is 18 gauge stainless.

Energy Efficiency

The CW41P features our *new energy-saving "Power-Pak" 4-cell burner system* and our *unique baffle system*. These make our ovens highly efficient and eliminate hot spots. The *heavily insulated walls*, coupled with our *special vent system*, reduces heat loss and keep your gas dollars from going up the stack. The CW41P is powered by 60,000 highly efficient BTUs which *increase its efficiency and recovery rate*.

Capacity

The CW41P deck size measures 42"x32"x7". Actual cooking capacity depends on the size of the pizza you are cooking. The CW41P will hold six (6) 12" pizzas or four (4) 16" pizzas. Cooking time will vary according to product, but will average between 8-10 minutes.

Space Saver

Because the controls are under the door, the CW41P requires *less installation space* than our competition. This enables you to free up valuable kitchen and/or hood space. The actual width needed is mere 50" for a 42"x32" deck, almost a foot less than the competition. The CW41P *can convert into a CW42P by stacking*, either initially or after your business grows. This option gives you two 42"x32" decks in only 50" of space.

Design Plus

The CW41P has the *controls in lower front for ease of operation and space savings*. This also places the controls in their own *air-conditioned area* so they are not affected by outside influences. In addition, the CW41P is *totally thermocoupled* and allows you to replace individual parts as opposed to throwing away the whole system.

