

# MAXIMIZER

## Electric Bake & Roast Ovens

### General Features:

- Quality Construction for long life
- Stainless Steel Front Standard  
Stainless top & sides available (T430)
- Heavy Duty Steel Deck with flanged sides (16AL)
- Full Range Digital Thermostat 200°F - 550°F (93°C - 288°C)  
Precise temperature control
- Space Saver  
Only 50" wide
- Stackable  
Multiple options for flexibility
- Aluminized Interior Standard
- Solid State Relay  
Silent operation
- Easily Serviceable  
Most controls can be replaced from the front of the unit
- Power Electric  
Single phase standard  
Three phase optional
- Top Heat Control  
Balances oven heat
- **Specific Features** of the CE61BE listed on back



### Warranty:

- One year parts and labor



MODEL CE61BE



ELECTRIC

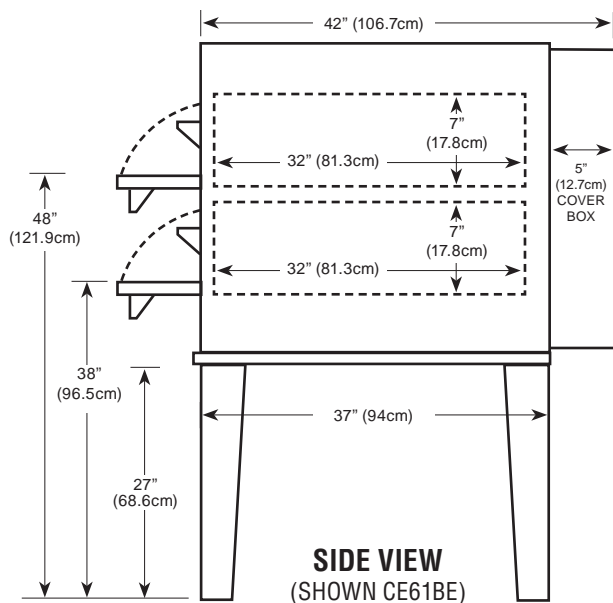
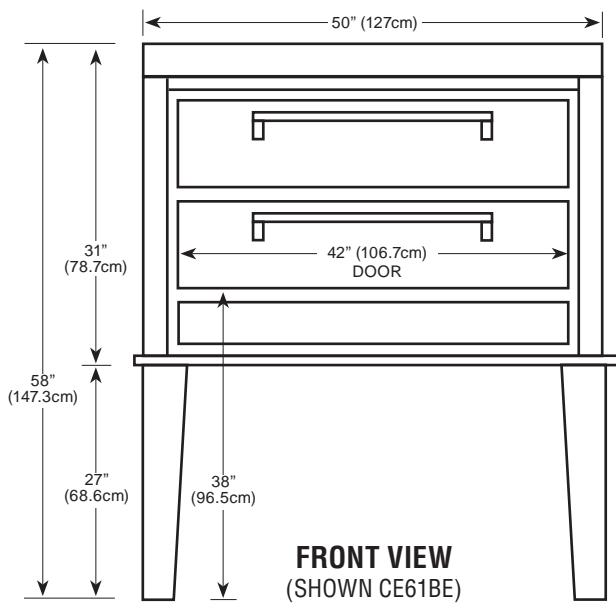


Steel Decks

### MORE FOR LESS

- More Cooking Space per Floor Space
- More Cooking Capacity per Sales Dollar
- More Performance per Dollar

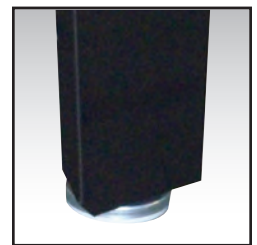




Floor space . . . . .	50" (127cm) wide x 42" (106.7cm) deep* x 58" (147.3cm) high
Shelf size . . . . .	42" (106.7cm) wide x 32" (81.3cm) deep x 7" (17.8cm) high
Shipping weight . . . . .	550 lbs (249.6kg)
Capacity . . . . .	Four 18"x26" bun pans per section
Electric . . . . .	12KW - 220V single phase, 60 AMPS Optional three phase, 40 AMPS
Opening required for installation: 32"	* Handle adds 2.5"(6.4cm) to depth



Digital Electronic Controller



Adjustable Legs

### Durable Construction

The CE61BE is built with *prime 20-gauge cold-rolled top and sides* with a 14-gauge base. The *interior is made of Armco Type 1, 20-gauge aluminized steel*. The CE61BE comes standard with stainless steel front, or optional all stainless steel finish. The stainless steel is made of high quality, 18-gauge 430 stainless; the door interior is 18 gauge stainless.

### Energy Efficiency

The CE61BE is powered by six (6) 2,000w elements which *increases its efficiency and recovery rate*.

### Capacity

*The CE61BE deck size measures 42"x32"x7" (2)*. The CE61BE will hold four (4) 18"x26" bun trays. Cook time will vary according to product.

### Space Saver

Because the controls are under the doors, the CE61BE requires *less installation space* than our competition. This enables you to free up valuable kitchen and/or hood space. The actual width needed is mere 50" for two *42"x32" decks*, almost a foot less than the competition. The CE61BE *can convert into a CE62BESC by stacking*, either initially or after our business grows. This option gives you four 42"x32" decks in only 56" of space and becomes an SC series oven.

### Design Plus

The CE61BE has the *controls in lower front for ease of operation and space savings*. This also places the controls in their own *air-conditioned area* so they are not affected by outside influences.

