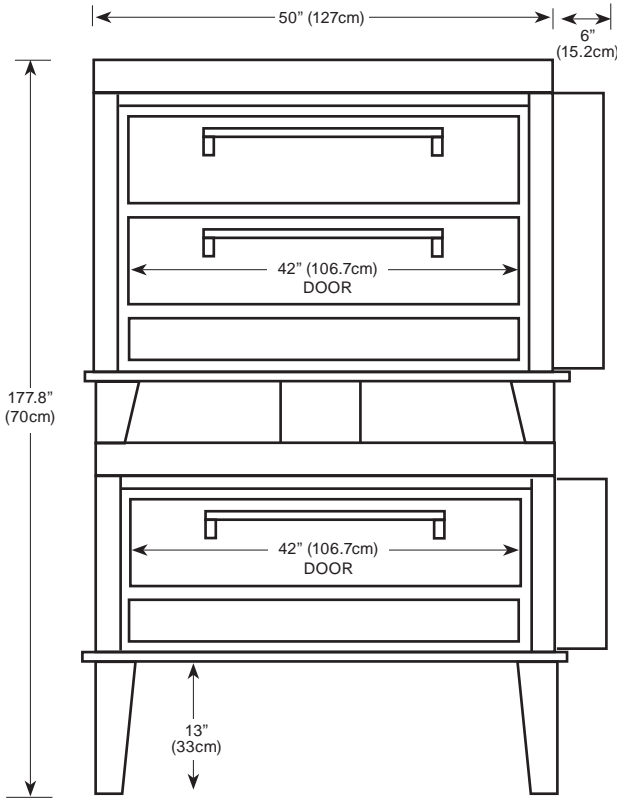


MAXIMIZER

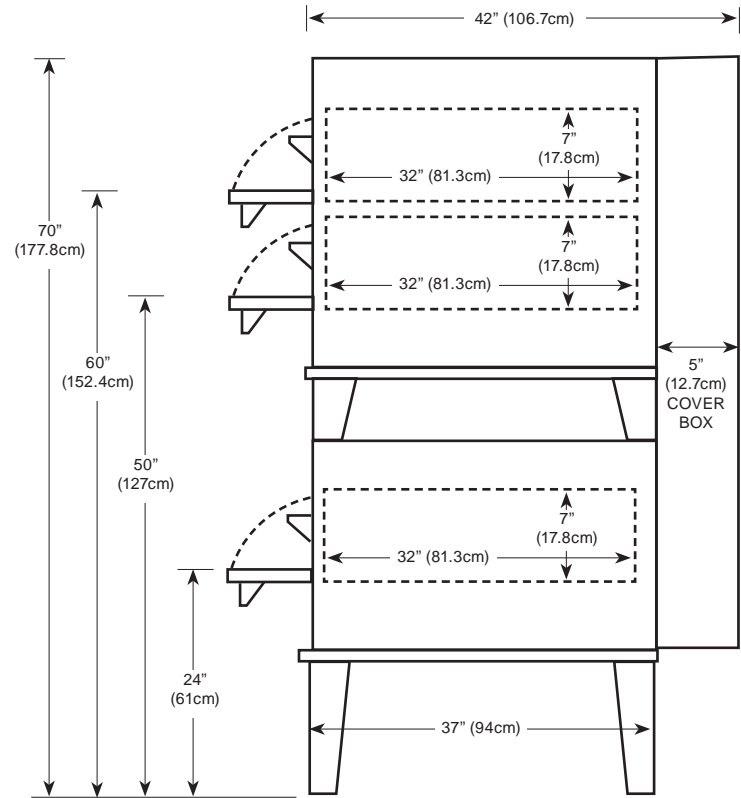
Electric Pizza Ovens

MODEL CE41/CE61PESC

Electric Bake/Roast Ovens can be combined with electric Pizza Ovens to meet your specific needs. Contact Peerless for details.



FRONT VIEW
CE41/CE61PESC



SIDE VIEW
CE41/CE61PESC

Floor space	56" (142.2cm) wide x 42" (106.7cm) deep* x 70" (177.8cm) high
Shelf size	42" (106.7cm) wide x 32" (81.3cm) deep x 7" (17.8cm) high
Shipping weight	1350 lbs (612.3kg)
Capacity CE41PESC	Six 12" pizzas or four 16" pizzas
Capacity CE61PESC	Twelve 12" pizzas or eight 16" pizzas
Electric CE41PESC	8 KW - 220V single phase, 50 AMPS Optional three phase, 30 AMPS
Electric CE61PESC	8 KW - 220V single phase, 60 AMPS Optional three phase, 40 AMPS
Maximum opening required for installation: 31"	* Handle adds 2.5"(6.4cm) to depth

