

MAXIMIZER

Electric Pizza Ovens

General Features:

- Quality Construction for long life
- Stainless Steel Exterior
- Pizza Deck Standard
110v: 27" x 19" x 1/2" hearth
220v: 27" x 19" x 1" hearth
- Large Capacity
500 sq. inches of hearth space.
Two 12" pizzas, one 16" pizza or one 18"x26" bun pan
- **Energy Efficient**
Unique design, heavily insulated
- Great Recovery
Unique deck and element design allows the B121 to recover better than other units with twice the power
- Digital Electronic Controller Standard
- Cooling Fan for longer control life
- Easily Serviceable
Controls accessible in the front of the unit
- Power
Electric - 110V or 220V
- Single Phase Standard
- **Specific Features** of the B121 are listed on back

Warranty:

- One year parts and labor



COUNTER MODEL
B121



ELECTRIC ONLY

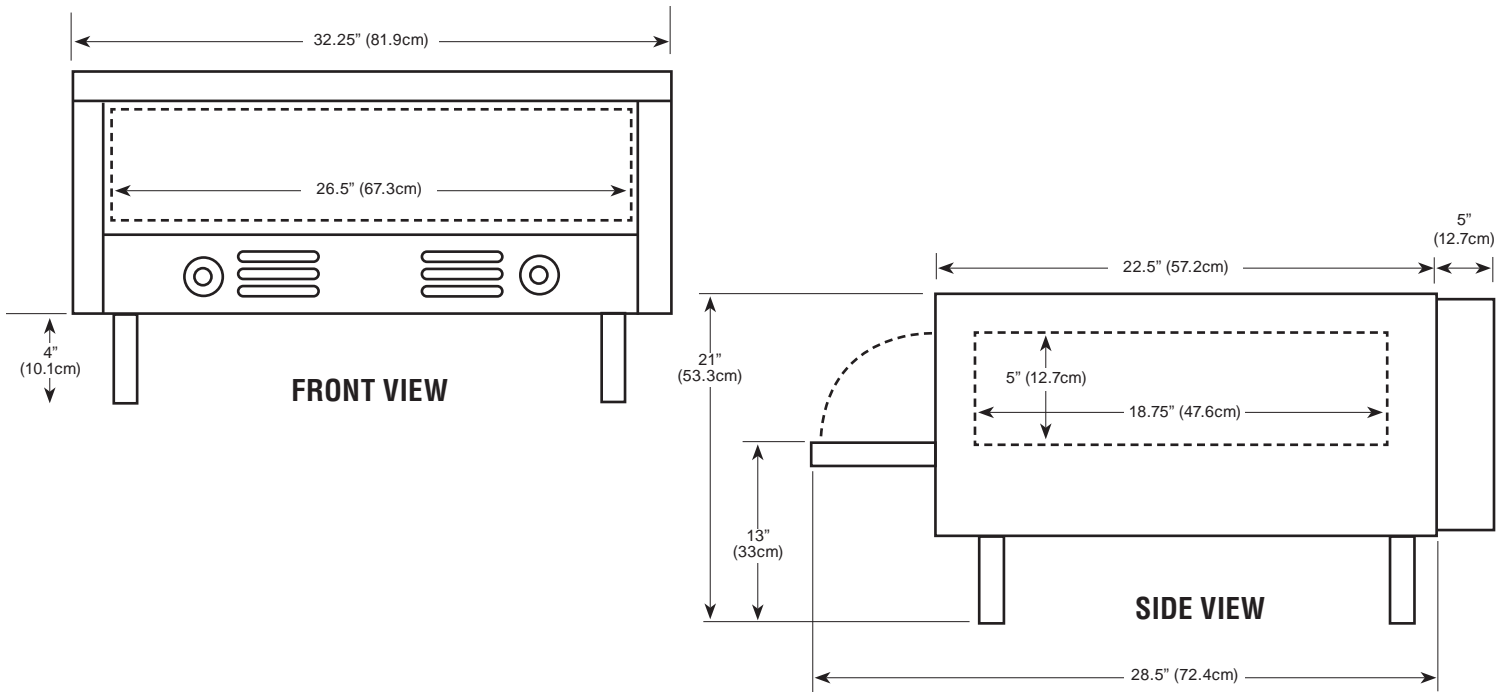


MORE FOR LESS

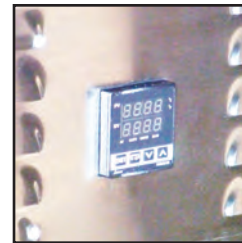
More Cooking Space per Floor Space
More Cooking Capacity per Sales Dollar
More Performance per Gas Dollar



Commercial and Industrial Ovens



| | |
|---------------------------|--|
| Counter space . . . | 32.5" (82.5cm) wide x 27.5" (69.9cm) deep x 21" (53.3cm) high |
| Shelf size | 26.5" (67.3cm) wide x 18.75" (47.6cm) deep x 5" (12.7cm) high |
| Shipping weight | 205 lbs (92.9kg) |
| Capacity | Two 12" (30.4cm) pizzas or one 16" (45.7cm) x 26" (66cm) bun pan |
| Electric | 2KW - 2,000 watts @ 120V, 20 amps 5KW - 5,000 watts @ 240V, 20 amps, single phase |
| | * Handle adds 2.5" (6.4cm) to depth |



Digital Electronic Controller



Adjustable Legs

Durable Construction

The B121 is built starting with an integral **16-gauge stainless steel frame**. The interior is made of Armco type 1, 20-gauge, aluminized steel all sitting on a **18-gauge, aluminized base**. The B121 come standard with **20-gauge, stainless steel front, sides and top**.

Energy Efficiency

The B121 is equipped with two (2) **1,000 watt elements** and comes standard as a 110V unit. With our unique interior, deck design and heavy insulation, the B121 **will idle with efficiency and recover upon demand**. The B121 is also available as a 220V unit, which has 5,000 watts @240V and will recover better at peak times.

Versatility and Capacity

The B121 sports a large **26.5"x18.75"x5" compartment** which will hold two (2) 12" pizzas, one (1) 16" pizza, but better yet, will hold an 18"x26" bun pan of just about anything you might want to cook. Hors d'oeuvres, sandwiches, breakfast rolls, you name it... the B121 can cook it! Now that's true versatility.



SPK31 STAND

- Sideliners hold racks or stones
- Optional casters (shown)
- Optional racks (3) (shown)
- 30" (76.2cm) x 22.625" (57.5cm) x 26.25" (66.5cm)

Design Plus

The B121 has the **controls located in the air-conditioned lower front for ease of operation, space savings and long life**. The door on the B121 has no springs, latches or breakable brackets for **years of trouble-free life**.

