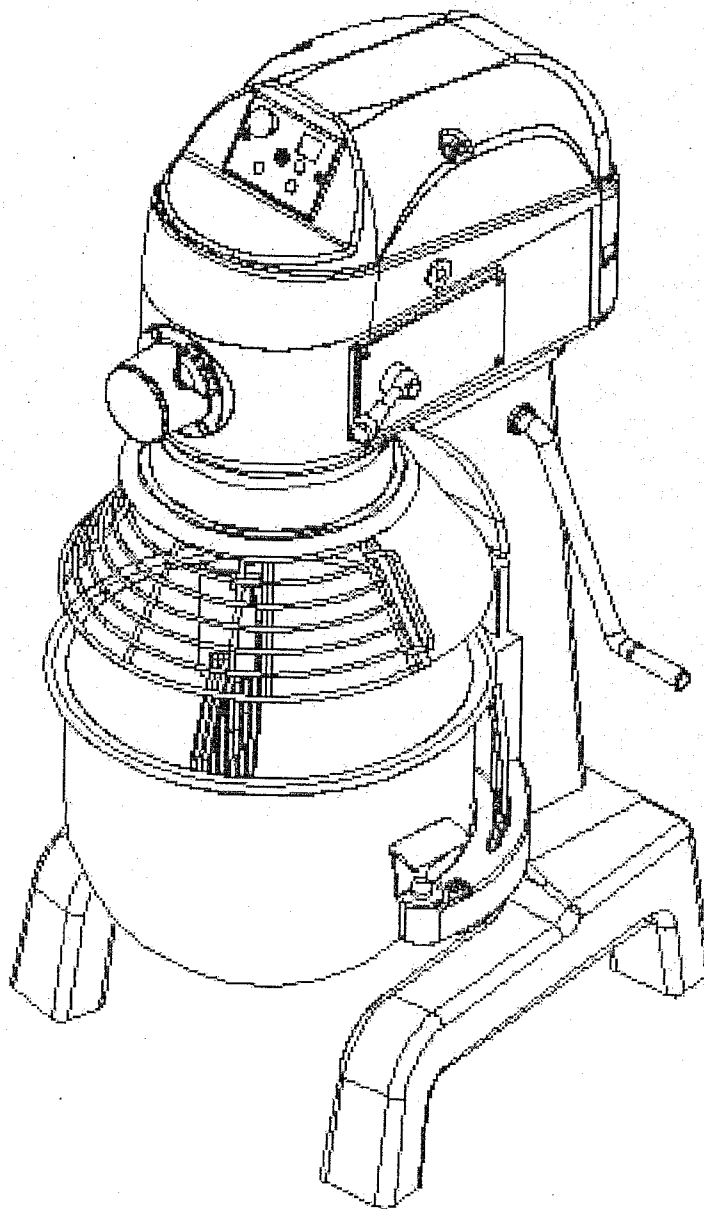
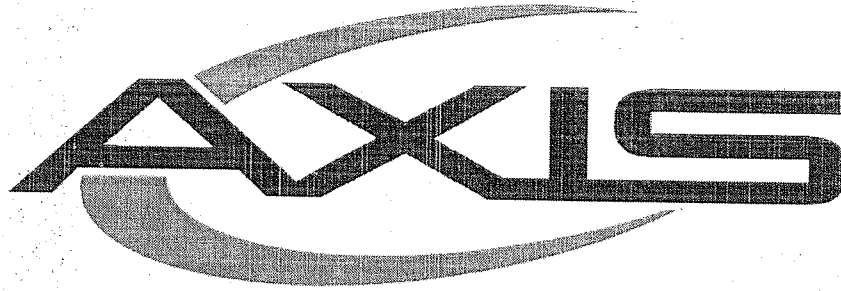


SMITHCORP
SINCE 1938

AX-M20

20 Quart Mixer





Installation, Operation and Care of your new **AX-M20 MIXER**

*** PLEASE SAVE THESE INSTRUCTIONS ***

INTRODUCTION

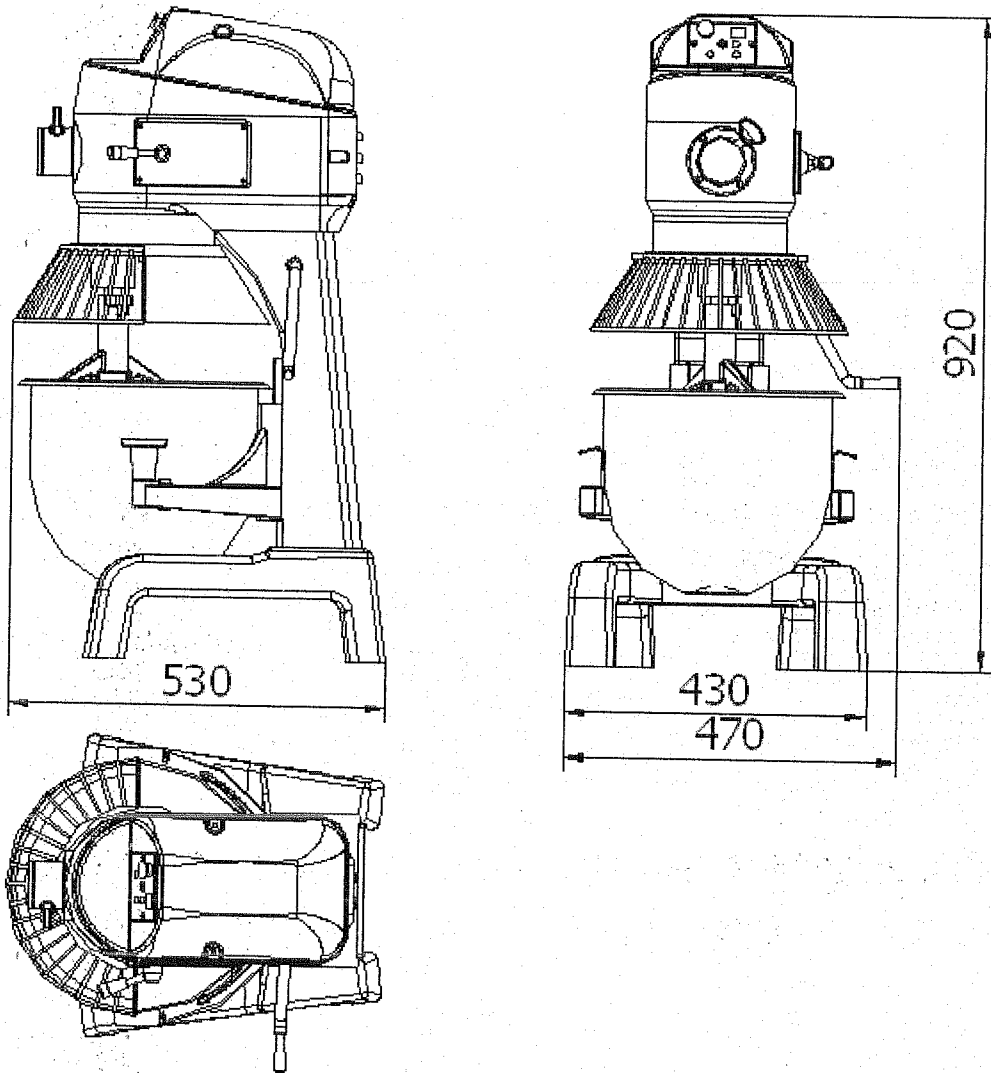
This AXIS mixer is an advanced design, highly reliable professional food processing tool, and is ideal for mixing all types of dough, as well as eggs, cream, mayonnaise, etc.

This model mixers are equipped with powerful 1/2 HP motors and a strong gear drive design. The gears are made of heat-treated alloy steel and a hardness steel worm wheel. There are 3 speeds and various style attachments, which can be selected to obtain the best results for your preparations. They are all manufactured of the highest quality alloy aluminum for maximum standards of hygiene.

If your operations and maintenance are followed regularly, then you will enjoy many years of trouble-free service!

INSTALLATION

SPECIFICATION (mm)



Model No.	Bowl Capacity	Motor for Agitator	Agitator speeds (R.P.M.)	ELECTRICAL
AX-M20	20 Qt.	0.5 HP	129/239/437	110V/60HZ/1 PH

UNPACKING

Immediately after unpacking the mixer, check it for possible shipping damage. If this machine is found to be damaged after unpacking, save the packaging material and contact the carrier immediately. **Any damages to the equipment must be reported immediately to your carrier upon inspection.** Prior to installation, please ensure that your electrical power supply matches with the specifications on the mixer data plate located on the back of the pedestal.

LOCATION

Place the mixer in its operating location. Bench should be placed on a sturdy level surface. There should be adequate space around the mixer for the user to operate the controls and install and remove the stainless steel bowl.

Holes are provided in the base to permanently secure the mixer, although this not necessary in normal installations. Floor models must be leveled front-to-back and side-to-side by sliding shims under the legs as required.

OPERATION

WARNING: KEEP HANDS, CLOTHING, AND UTENSILS AWAY FROM THE BEATER WHILE IN OPERATION.

All models are furnished with a **digital control panel** (figure 1-11), which controls the main power and sets timer to the mixer.

The **GEAR SHIFT LEVER** (figure 1-3) is used to change speeds. Always stop the mixer before changing speeds. To change speeds, first turn the switch OFF, move the gearshift lever to the desired speed, and turn the switch back ON.

- Speed 1 (low) - This speed is for heavy mixtures such as bread dough, heavy batters, and potatoes.
- Speed 2 (medium) - This speed is for light dough, which must rise quickly, heavy batters, and some whipping operations.
- Speed 3 (high) - This speed is fast (max.) for light work such as whipping cream, beating eggs, and mixing thin batters.

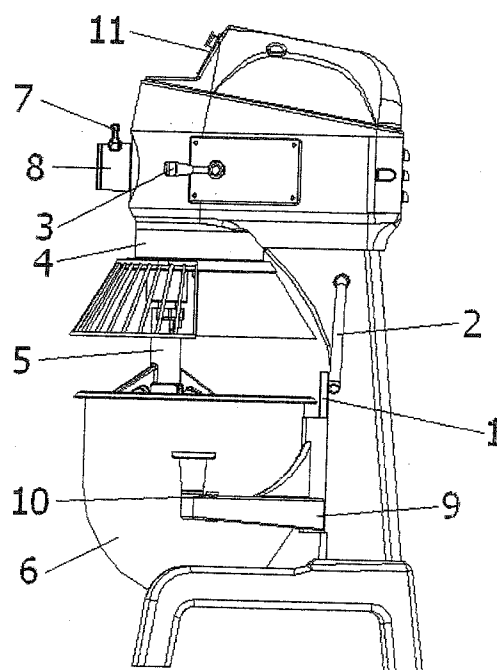


Figure 1

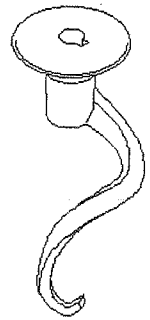
AGITATOR

To install an agitator (figure 1-5), the bowl (Figure 1-6) must be installed and fully lowered. Place the agitator in the bowl, push it up on the agitator shaft, and turn it clockwise to seat the shaft pin in the slot of the agitator shaft.

DOUGH ARM:

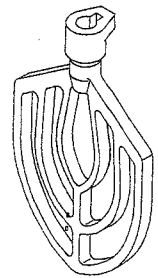
Frequently used for heavy bread dough, and preferable to be used at the low speed.

The moisture content of heavy dough is critical when selecting proper mixing speed. You should never use 2nd speed when mixing heavy dough with an Absorption Ratio (AR) of 50% or less.



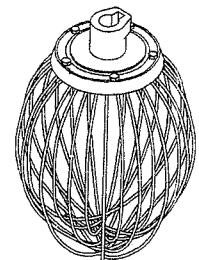
BEATER:

Commonly used for thin batters, cake flour and mashing potatoes, like stuffing and preferable to be used at the middle speed.



WIRE WHIP:

Best for whipping cream and beating eggs and preferable to be used at the high speed.



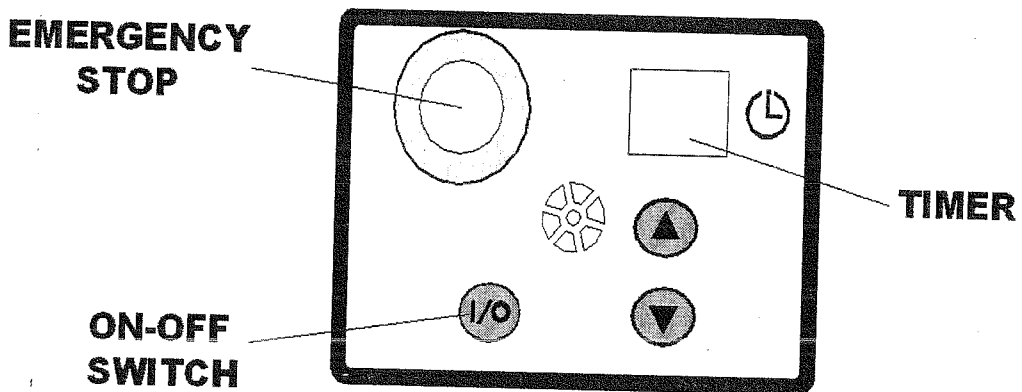
BOWL:

Before using your new mixer's bowl (Figure 1-6) and agitators (beaters, whip, and dough arms) for your first time; wash them all thoroughly with hot water and a mild soap solution, rinsed with either a mild soda or vinegar solution, and rinse thoroughly with clean water. This cleaning procedure should also be followed for bowls and agitators before whipping egg whites with or whole eggs.

HUB ATTACHMENTS:

The mixer's standard-sized No.12 hub accommodates a variety of optional attachments. To install an attachment, loosen the thumbscrew (Figure 1-7) on the attachment hub and remove the hub cover plug (Figure 1-8). Insert the attachment into the attachment hub making certain that the square shank of the attachment is in the square driver of the mixer. Secure the attachment by tightening the thumbscrew. Be sure to follow the manufacturer's installation, operation, and safety instructions for the hub attachment. **Attachment hub should not be used while mixing.**

CONTROL PANEL:








MIXING HEAVY DOUGH:


The moisture content of heavy dough is a critical factor when selecting proper mixing speed. We recommend **NOT** to use 2nd speed when mixing heavy dough with an Absorption Ratio (AR) of 50% or less.

To determine the Absorption Ratio (AR) of a product, divide the water weight by the flour weight.

Example: Calculate the Absorption Ratio of a mixture containing 5 lbs. of water and 10 lbs. of flour.

$$5 \div 10 = 0.50 = 50 \% = \text{AR}$$

PRODUCT	TOOL	BOWL CAPACITY: 20 QT	
Egg Whites	Whip	1 qt.	
Mashed Potatoes	Beater	15 lbs	
Mayonnaise (Qts. Oil)	Beater	10 qt.	
Meringue (Qts. Water)	Whip	1 qt.	
Waffle/Pan cake Batter	Beater	8 qts.	
Whipped Cream	Whip	4 qts.	
Sheet Cake Batter	Beater	20 lbs.	
Cup Cake	Beater	22 dz.	
Layer Cake	Beater	20 lbs.	
Pound Cake	Beater	21 lbs.	
Sugar Cookie	Beater	30 dz.	
Bread or Roll Dough (Light/ Medium, 60% AR, )	Hook *	Water 6 lbs.	Flour 10 lbs.
Bread or Roll Dough (Heavy, 55% AR, )	Hook *	Water 4.4 lbs.	Flour 8 lbs.
Thin Pizza Dough, Pasta, Basic Egg Noodle(40% AR,  , 5 min. max. mix time)	Hook *	Water 2 lbs.	Flour 5 lbs.
Medium Pizza Dough (50% AR, )	Hook *	Water 3 lbs.	Flour 6 lbs.
Thick Pizza Dough (60% AR, )	Hook *	Water 6 lbs.	Flour 10 lbs.
Raised Donut Dough (65% AR)	Hook *	Water 3 lbs.	Flour 5 lbs.
Whole Wheat Dough (70% AR)	Hook **	Water 7 lbs.	Flour 10 lbs.

- *1st speed only ** 1st speed & 2nd speed only
-  If high gluten flour is used, reduce above dough batch size by 10 %
- 1 gallon of water weights 8.33 lbs.

MAINTENANCE

NOTE: ALL MAINTENANCE WORK SHOULD BE DONE ONLY AFTER UNIT HAS BEEN DISCONNECTED FROM THE ELECTRICAL POWER SUPPLY.

Never use a metal or stiff brush to clean the mixer. Never clean the mixer with a water hose or any fluid pressure.

The mixer should be thoroughly cleaned daily.

Bowls and agitators should be removed from the mixer and cleaned in a sink.

The transmission case and planetary mechanism should be inspected weekly for leaks, damage, etc. Should it become necessary to repack the ball bearings, an authorized service technician or the manufacturer should be contacted. Use of unknown grease or lubricants may lead to damage and void the mixer warranty.

The **bowl lift slideways** (Figure 1-1) should be lubricated semi-annually, or more often under heavy usage. Disconnect the unit from the power supply before removing the top housing or apron. The **safety guard** should be inspected periodically for moisture or lubricant dripping. Remove the cup and wipe it with a soft cloth.

CLEANING:

The mixer should be thoroughly cleaned daily.

Bowls and agitators should be removed from the mixer and cleaned in a sink.

DO NOT use a hose to clean the mixer - it should be washed with a clean damp cloth.

The Safety Guard should be removed periodically and wiped clean. A large flat blade screwdriver may be used to remove the drip cup



5659 Royalmount Avenue

Montreal, Quebec CANADA H9P 2P9

Tel: 514.737.9701

Fax: 514.342.3854
