

OP70 Tiled

Whats Included

- Cement/Clay Oven
- Powder Coated or SS Flue
- Powder Coated Oven Door
- Steel Slab Base
- Steel Sub Floor
- Pizza Paddle
- Refractory Brick Floor

Optional Extras

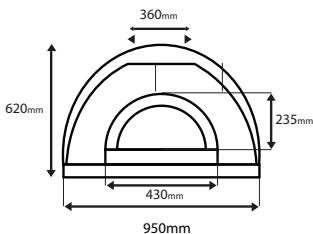
- Oven Stand
- Granite Bench
- Wheels
- Cover



Oven Dimensions

External Dimensions

Width (left to right)	950mm
Length (front to back)	990mm
Height	620mm
Flue Base Width	360mm
Front Height	475mm
Outer Arch Width	430mm
Outer Arch Height	235mm

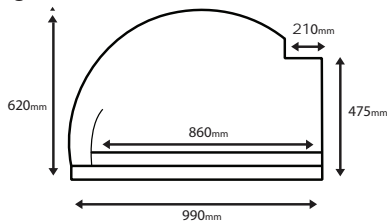


Internal Dimensions

Width (left to right)	710mm
Length (front to back)	860mm
Height	335mm
Inner Arch Width	385mm
Inner Arch Height	220mm

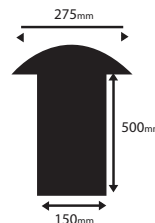
Internal Cooking Area

Width (left to right)	710mm
Length (front to back)	680mm



Flue Details

Flue Height	500mm
Diameter	150mm
Cap Diameter	275mm
Cap Height	80mm

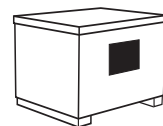


Box Dimensions Preassembled Oven

Width	1160mm	1120mm
Length		
Height		835mm
Boxed Weight		315kg
Boxed Weight Tiled		365kg

DIY Kit

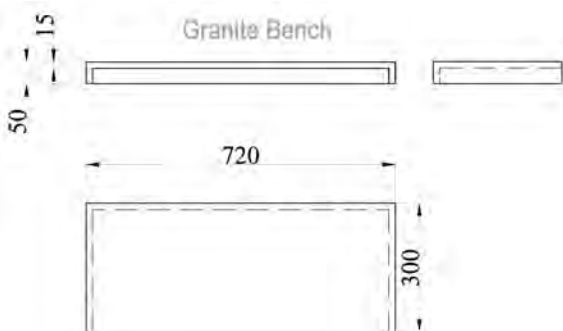
Width	1130mm
Length	920mm
Height	760mm
Boxed Weight	202kg



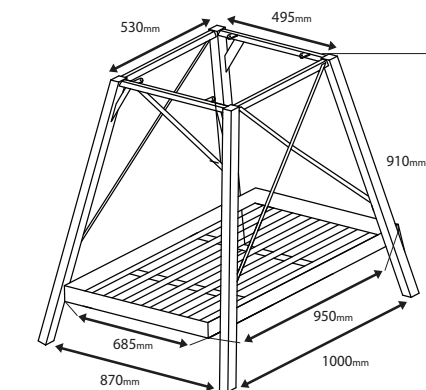
Oven Weight
290kg
Tiled 340kg

**All measurements may vary slightly

Optional Extras



Note: this stand and granite bench are not included in the oven price.



Stand (suitable for 60 & 70 ovens)

Length	1000mm
Width	870mm
Height	910mm
Top Length	530mm
Top Width	495mm
Tray	950mm x 685mm
Weight	34kg